

Test Report

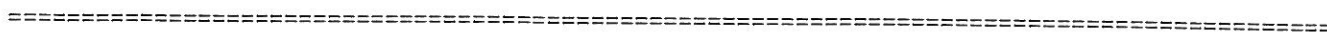
No. : CY/2009/C0028 Date : 2009/12/02 Page : 1 of 3

FAIR BOSS COMPANY
2F, NO. 162-4 JIN-HUA ST. TAIPEI, TAIWAN, R. O. C.



The following sample(s) was/were submitted and identified by/on behalf of the client as :

Sample Description	:	SNAPPED TRI-ANGLE & PLATE
Style/Item No.	:	P+T S130/S115
Manufacturer/Vendor	:	FAIR BOSS COMPANY
Country of Origin	:	TAIWAN
Sample Receiving Date	:	2009/12/01
Testing Period	:	2009/12/01 TO 2009/12/02



Test Requested : For substrate - With reference to U.S.A. standard of Lead Content in substrate for Pub. L. No.110-314(HR 4040) of CPSIA/CPSC.

Test Result(s) : Please refer to next page(s).

Chenyu Kung / Operation Manager
Signed for and on behalf of
SGS TAIWAN LTD.
Chemical Laboratory – Taipei

Unless otherwise stated the results shown in this test report refer only to the sample(s) tested. This test report cannot be reproduced, except in full, without prior written permission of the Company.
除非另有說明，此報告結果僅對測試之樣品負責，本報告未經本公司書面許可，不可部分複製。
This Test Report is issued by the Company under its General Conditions of Service printed overleaf or available on request and accessible at http://www.sgs.com/terms_and_conditions.htm. Attention is drawn to the limitation of liability, indemnification and jurisdiction issues defined therein. Any holder of this Test Report is advised that information contained hereon reflects the Company's findings at the time of its intervention only and within the limits of Client's instructions, if any. The Company's sole responsibility is to its Client and this document does not exonerate parties to a transaction from exercising all their rights and obligations under the transaction documents. Any unauthorized alteration, forgery or falsification of the content or appearance of this document is unlawful and offenders may be prosecuted to the fullest extent of the law.



Test Report

No. : CY/2009/C0028 Date : 2009/12/02 Page : 2 of 3

FAIR BOSS COMPANY
2F, NO. 162-4 JIN-HUA ST. TAIPEI, TAIWAN, R. O. C.



Test Result(s)

PART NAME NO.1 : SILVER COLORED METAL (1)
PART NAME NO.2 : SILVER COLORED METAL (2)

Test Item (s):	Unit	Method	MDL	Result		CPSIA Limit
				NO.1	NO.2	
Lead (Pb)	mg/kg	With reference to CPSC-CH-E1001-08 method.	2	n.d.	n.d.	See Note 4

Note :

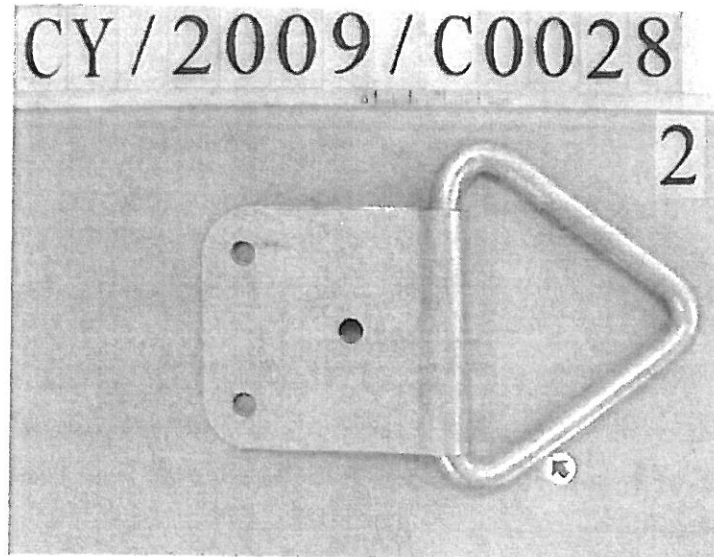
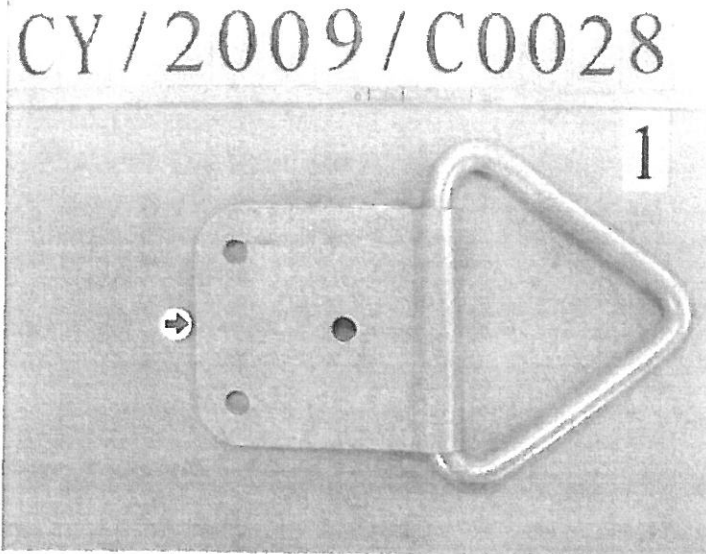
1. mg/kg = ppm; 0.1wt% = 1000ppm
2. n.d. = Not Detected
3. MDL = Method Detection Limit
4. Paint: 600mg/kg before 2009.08.14
90mg/kg after 2009.08.13
Non-paint: 600mg/kg in 2009.02.10 ~ 2009.08.13
300mg/kg in 2009.08.14 ~ 2011.08.13
100mg/kg after 2011.08.13

Unless otherwise stated the results shown in this test report refer only to the sample(s) tested. This test report cannot be reproduced, except in full, without prior written permission of the Company.
 除非另有說明，此報告結果僅對測試之樣品負責。本報告未經本公司書面許可，不可部分複製。
 This Test Report is issued by the Company under its General Conditions of Service printed overleaf or available on request and accessible at http://www.sgs.com/terms_and_conditions.htm. Attention is drawn to the limitation of liability, indemnification and jurisdiction issues defined therein. Any holder of this Test Report is advised that information contained hereon reflects the Company's findings at the time of its intervention only and within the limits of Client's instructions, if any. The Company's sole responsibility is to its Client and this document does not exonerate parties to a transaction from exercising all their rights and obligations under the transaction documents. Any unauthorized alteration, forgery or falsification of the content or appearance of this document is unlawful and offenders may be prosecuted to the fullest extent of the law.

Test Report

No. : CY/2009/C0028 Date : 2009/12/02 Page : 3 of 3

FAIR BOSS COMPANY
2F, NO. 162-4 JIN-HUA ST. TAIPEI, TAIWAN, R. O. C.



** End of Report **

Unless otherwise stated the results shown in this test report refer only to the sample(s) tested. This test report cannot be reproduced, except in full, without prior written permission of the Company.
除非另有說明，此報告結果僅對測試之樣品負責，本報告未經本公司書面許可，不可部分複製。
This Test Report is issued by the Company under its General Conditions of Service printed overleaf or available on request and accessible at http://www.sgs.com/terms_and_conditions.htm. Attention is drawn to the limitation of liability, indemnification and jurisdiction issues defined therein. Any holder of this Test Report is advised that information contained hereon reflects the Company's findings at the time of its intervention only and within the limits of Client's instructions, if any. The Company's sole responsibility is to its Client and this document does not exonerate parties to a transaction from exercising all their rights and obligations under the transaction documents. Any unauthorized alteration, forgery or falsification of the content or appearance of this document is unlawful and offenders may be prosecuted to the fullest extent of the law.